

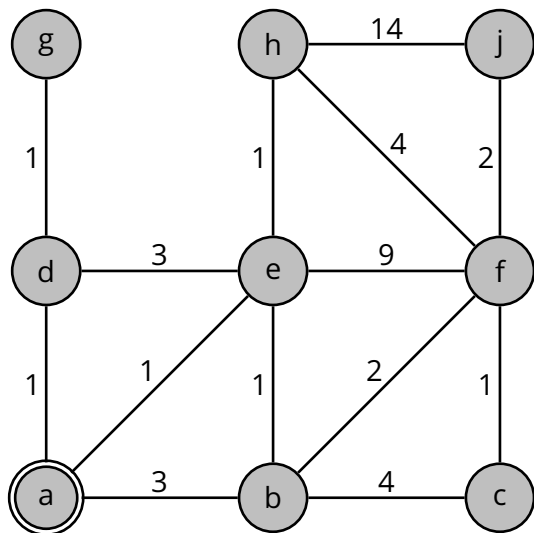
The Dijkstra Algorithm

Antonio Carzaniga

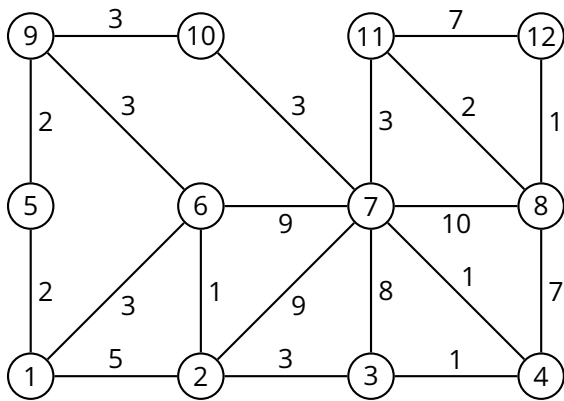
Faculty of Informatics
Università della Svizzera italiana

May 19, 2021

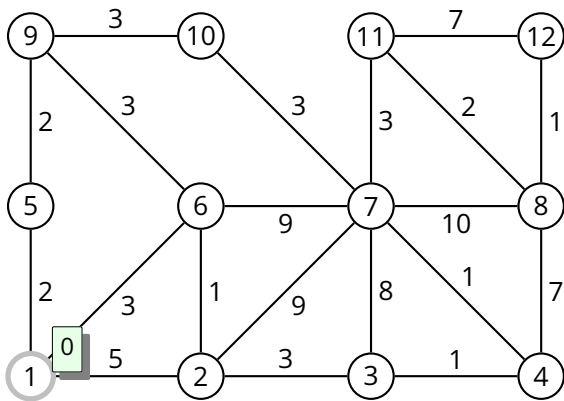
Example



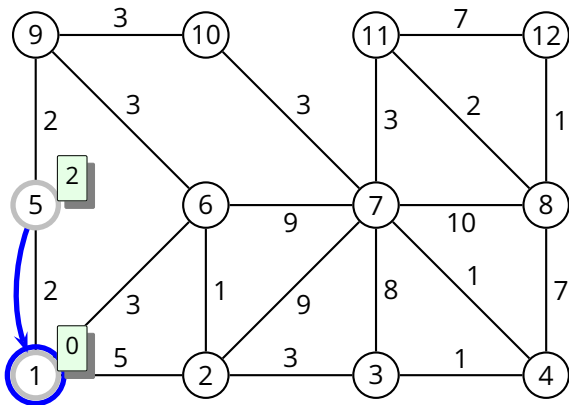
Example



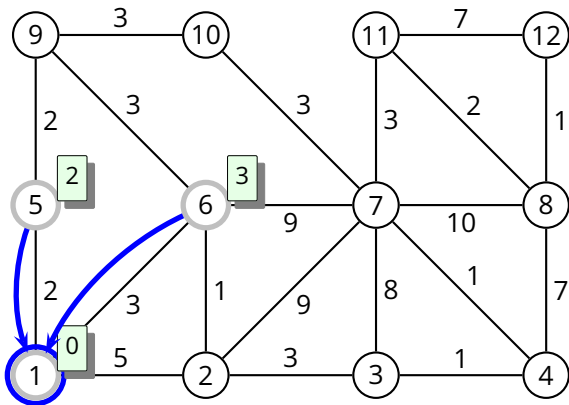
Example



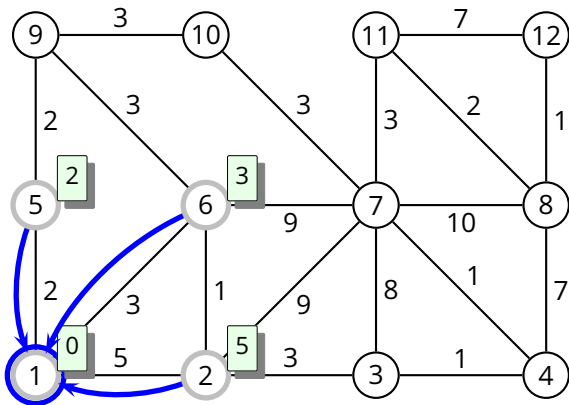
Example



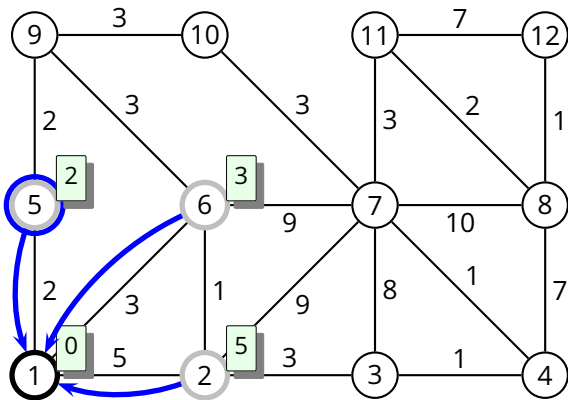
Example



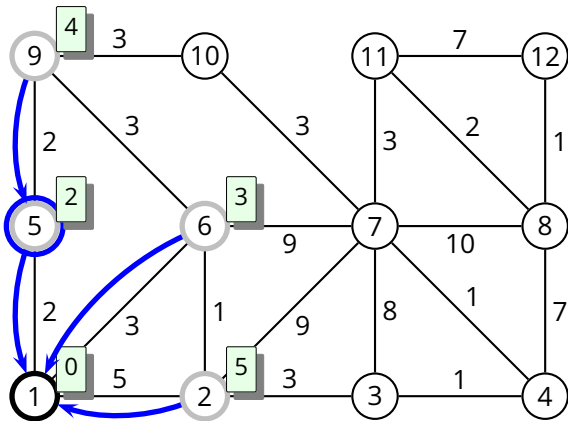
Example



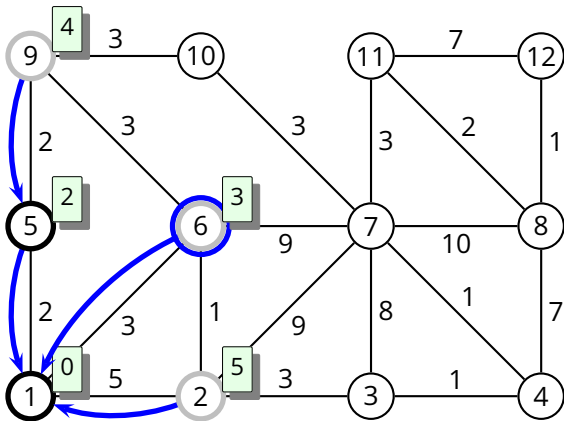
Example



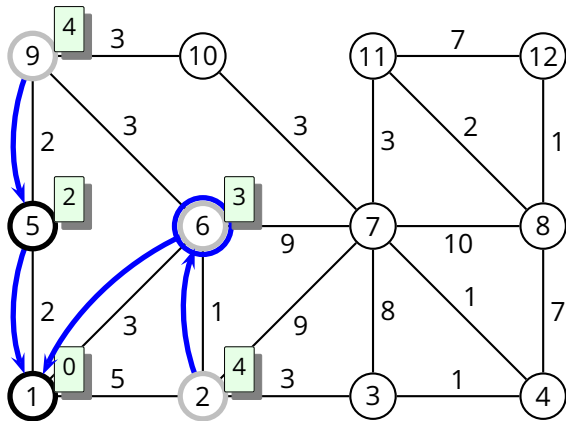
Example



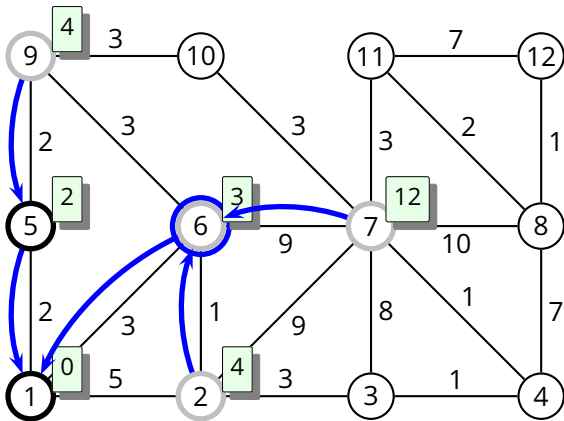
Example



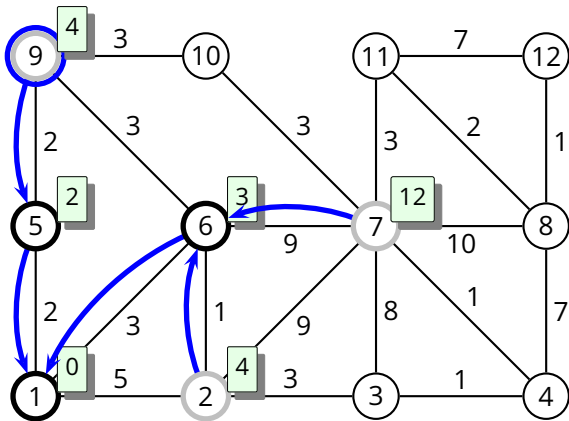
Example



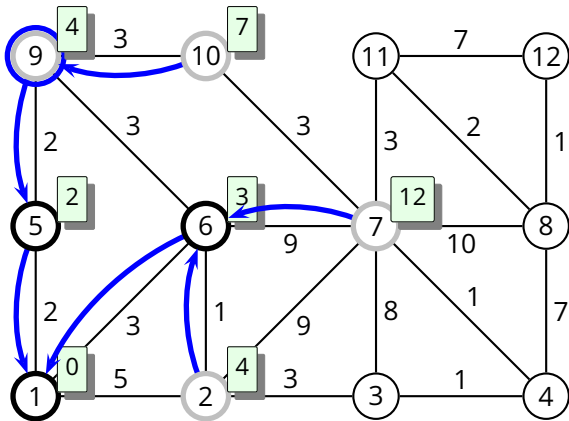
Example



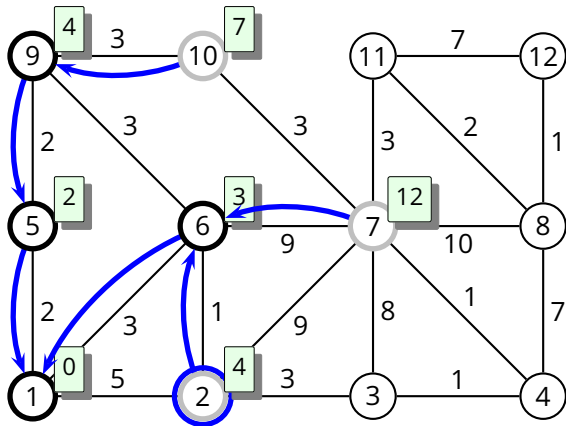
Example



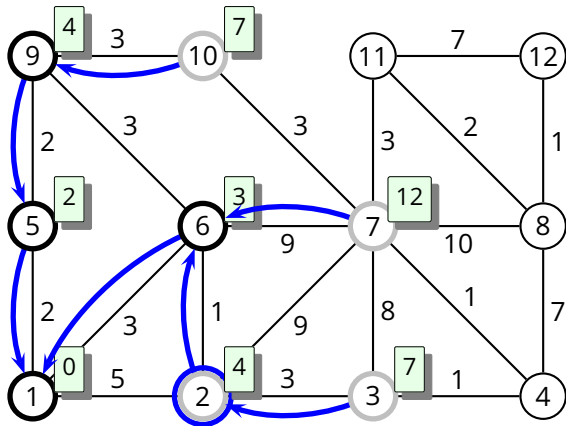
Example



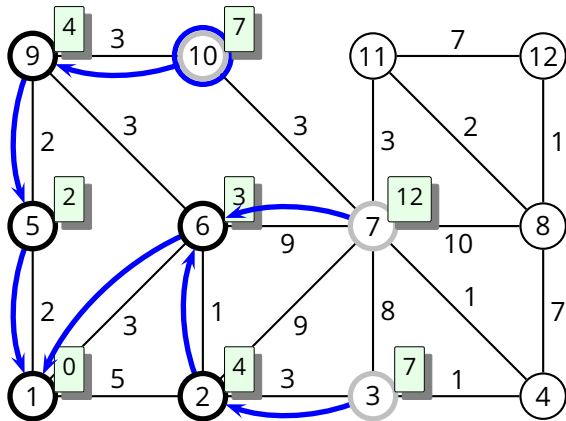
Example



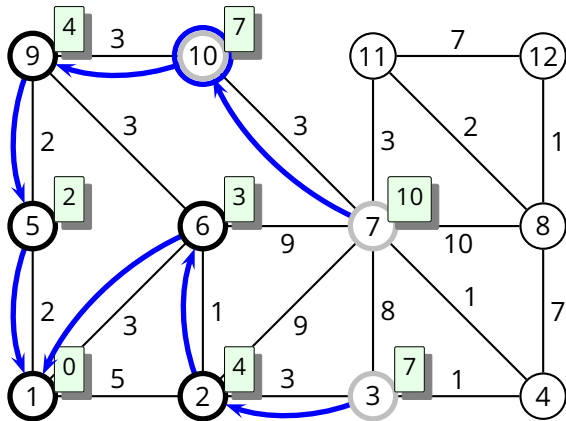
Example



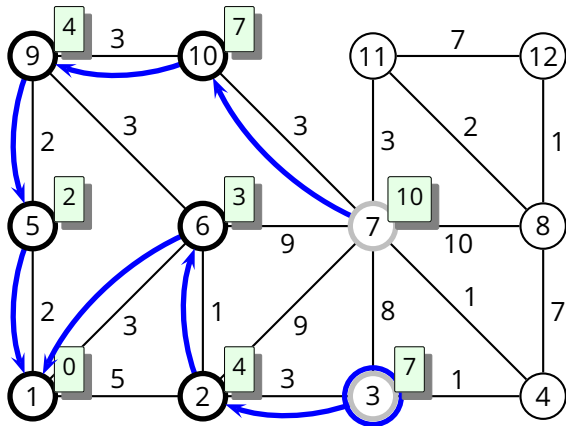
Example



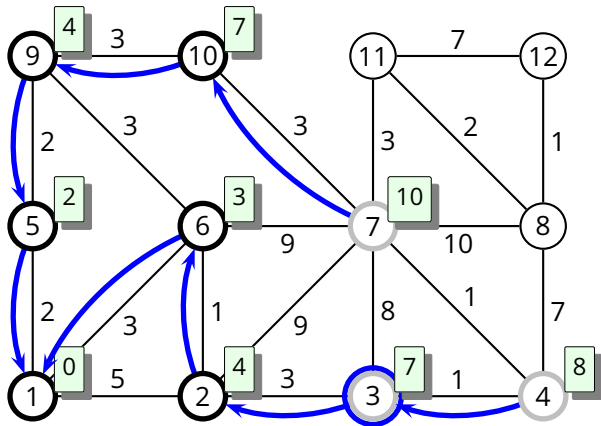
Example



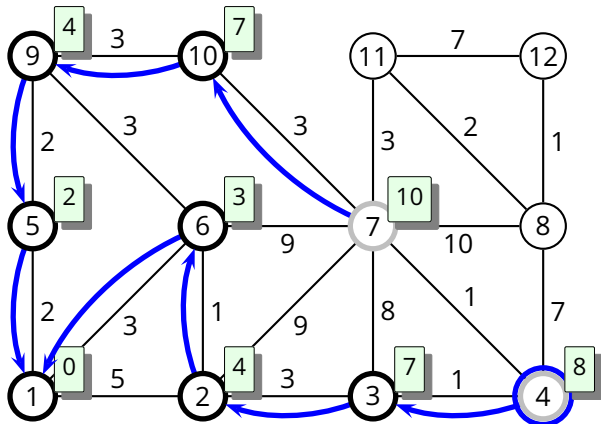
Example



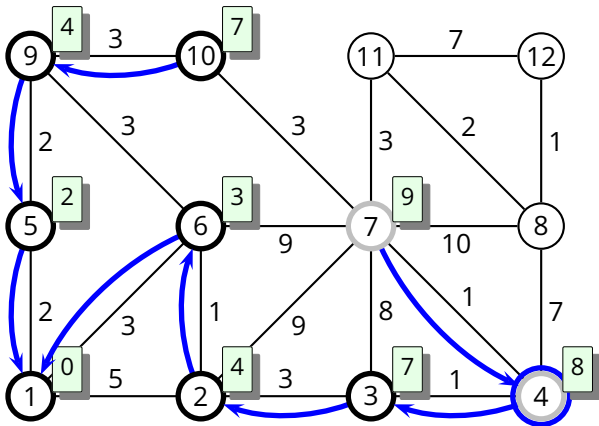
Example



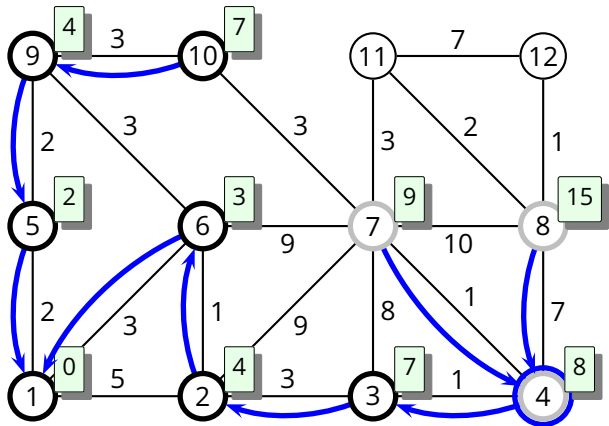
Example



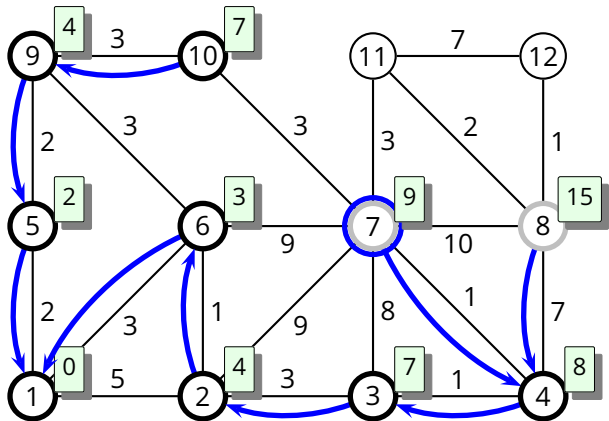
Example



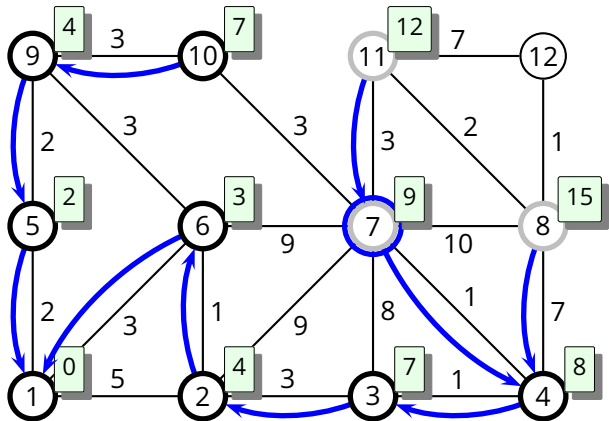
Example



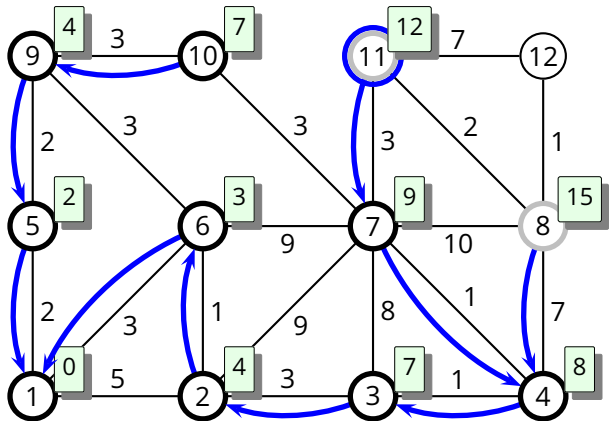
Example



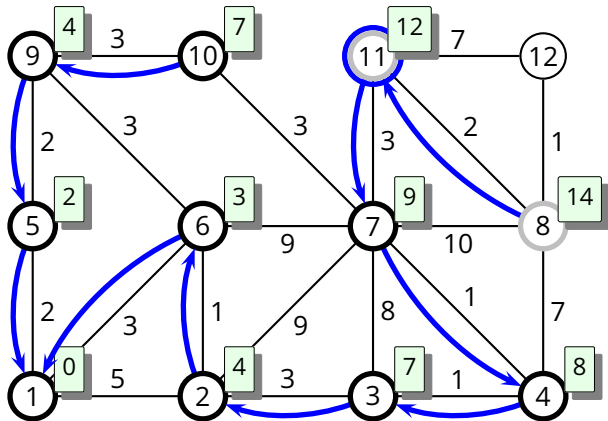
Example



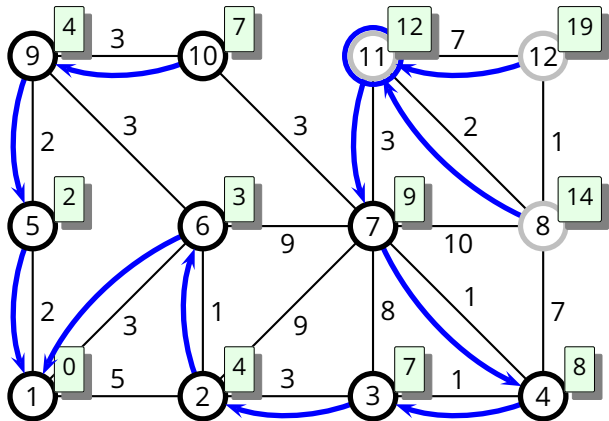
Example



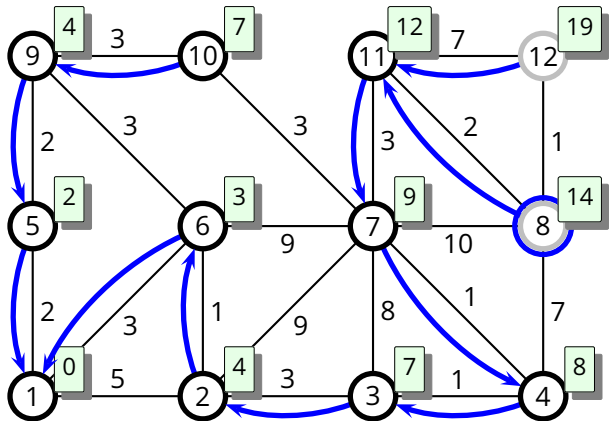
Example



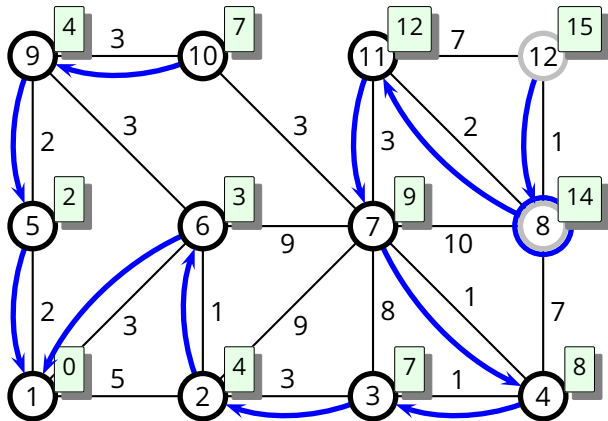
Example



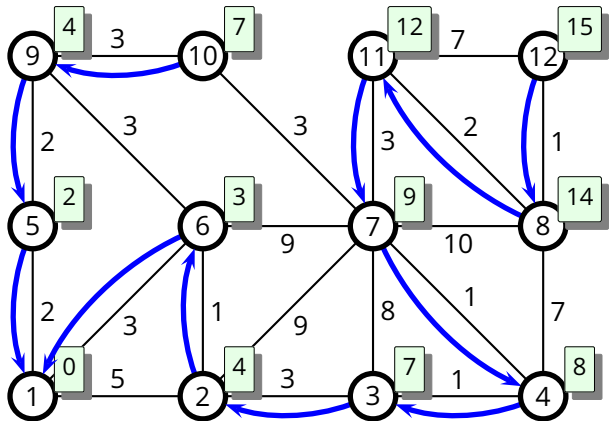
Example



Example



Example



- Executing locally at node u

- Executing locally at node u
- Variables storing values known at each iteration

- Executing locally at node u
- Variables storing values known at each iteration
 - ▶ $D[v]$, cost of the least-cost path from u to v

- Executing locally at node u
- Variables storing values known at each iteration
 - ▶ $D[v]$, cost of the least-cost path from u to v
 - ▶ $p[v]$, node preceding v (neighbor of v) on the least-cost path from u to v

- Executing locally at node u
- Variables storing values known at each iteration
 - ▶ $D[v]$, cost of the least-cost path from u to v
 - ▶ $p[v]$, node preceding v (neighbor of v) on the least-cost path from u to v
 - ▶ N , nodes of G whose least-cost path from u is definitely known

Dijkstra($G = (V, E), u$)

```
1   $N = \{u\}$ 
2  for all  $v \in V$ 
3      if  $v \in \text{neighbors}(u)$ 
4           $D[v] = c(u, v)$ 
5           $p[v] = u$ 
6      else  $D[v] = \infty$ 
7  while  $N \neq V$ 
8      find  $w \notin N$  such that  $D[w]$  is minimum
9       $N = N \cup \{w\}$ 
10     for all  $v \in \text{neighbors}(w) \setminus N$ 
11         if  $D[w] + c(w, v) < D[v]$ 
12              $D[v] = D[w] + c(w, v)$ 
13              $p[v] = w$ 
```

Dijkstra($G = (V, E), u$)

```

1   $N = \{u\}$ 
2  for all  $v \in V$ 
3      if  $v \in neighbors(u)$ 
4           $D[v] = c(u, v)$ 
5           $p[v] = u$ 
6      else  $D[v] = \infty$ 
7  while  $N \neq V$ 
8      find  $w \notin N$  such that  $D[w]$  is minimum
9       $N = N \cup \{w\}$ 
10     for all  $v \in neighbors(w) \setminus N$ 
11         if  $D[w] + c(w, v) < D[v]$ 
12              $D[v] = D[w] + c(w, v)$ 
13              $p[v] = w$ 

```

