

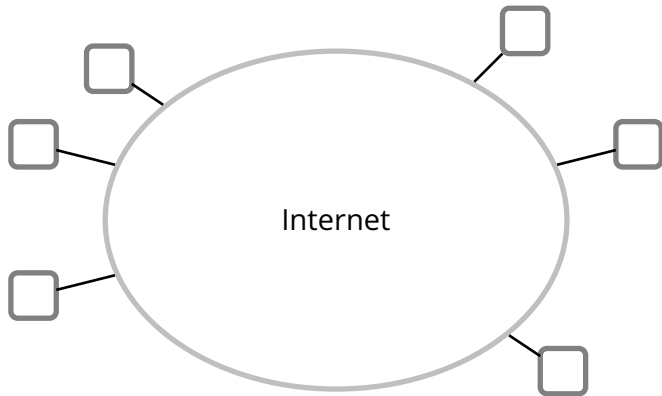
The Transport Layer

Antonio Carzaniga

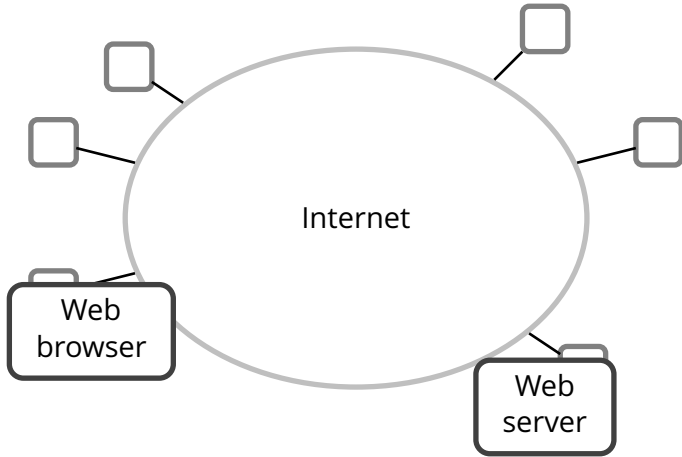
Faculty of Informatics
Università della Svizzera italiana

October 27, 2017

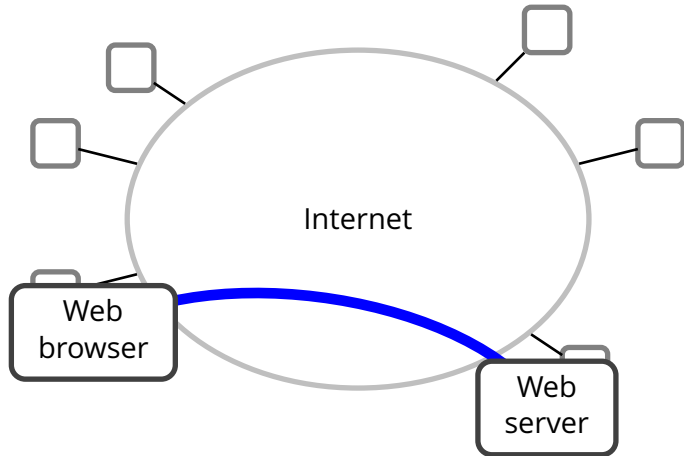
- Basic concepts in transport-layer protocols
- Multiplexing/demultiplexing
- UDP message format
- Reliable transfer



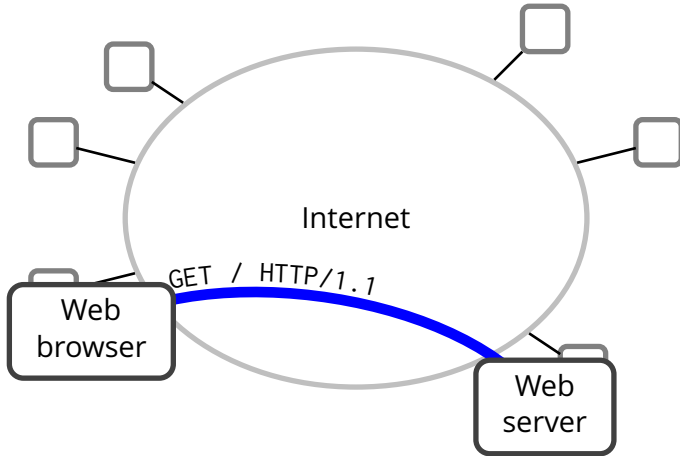
Transport Layer

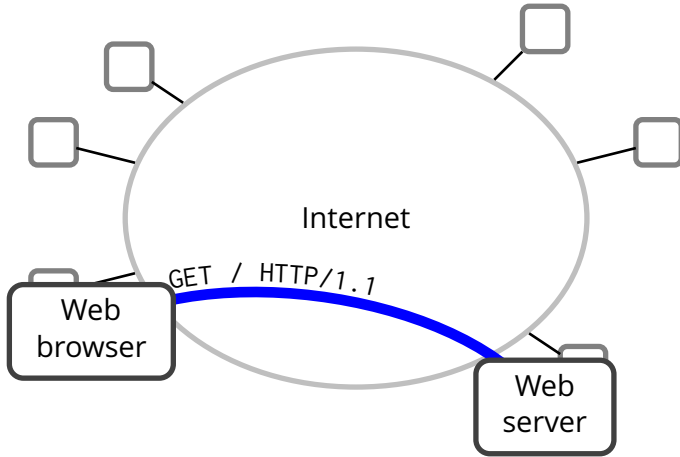


Transport Layer



Transport Layer





Primitive communication between applications

HTTP

HTTP

SMTP

Type of Service

HTTP

SMTP

DNS

Type of Service

HTTP

SMTP

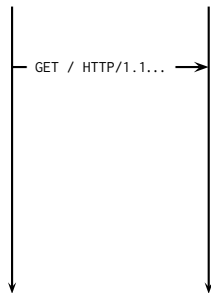
DNS



HTTP

SMTP

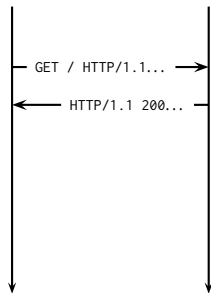
DNS



HTTP

SMTP

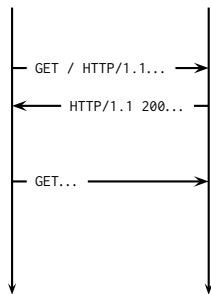
DNS



HTTP

SMTP

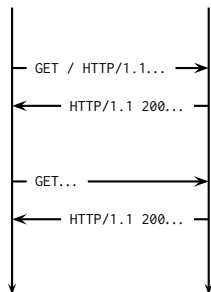
DNS

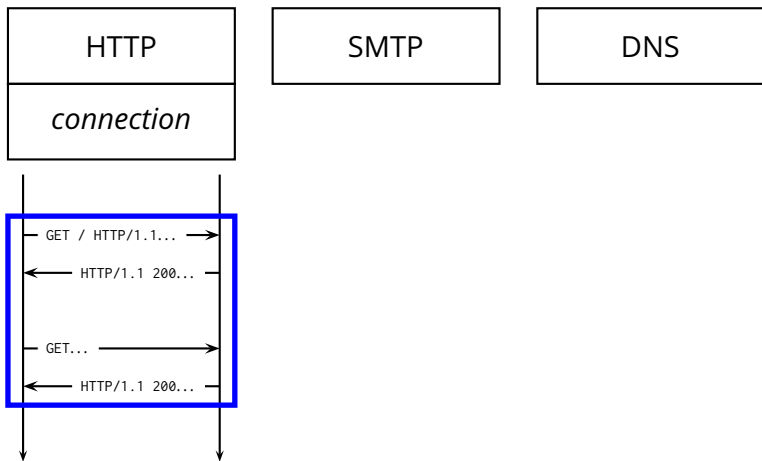


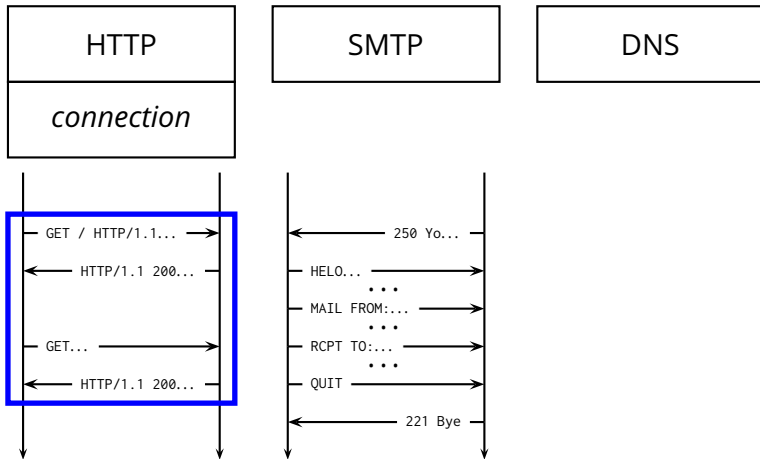
HTTP

SMTP

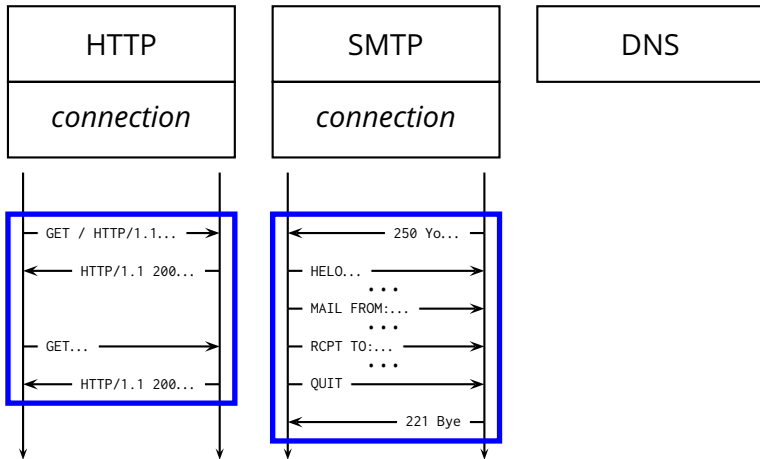
DNS



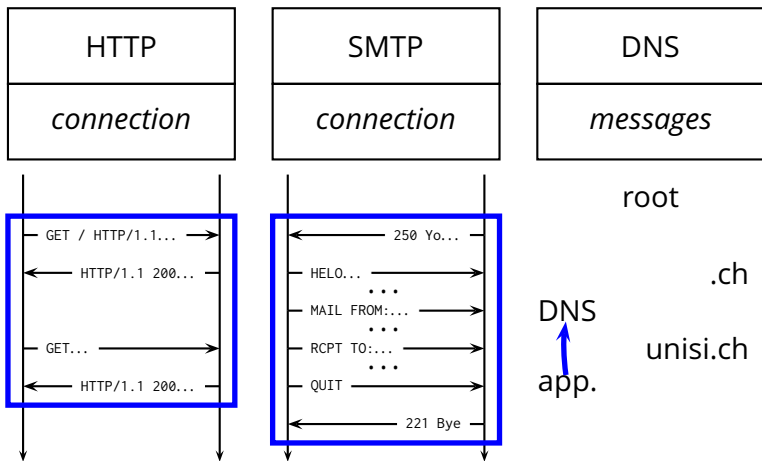




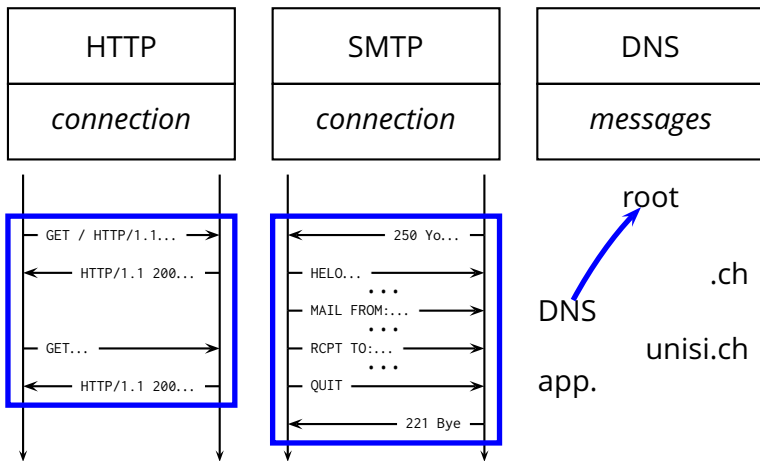
Type of Service



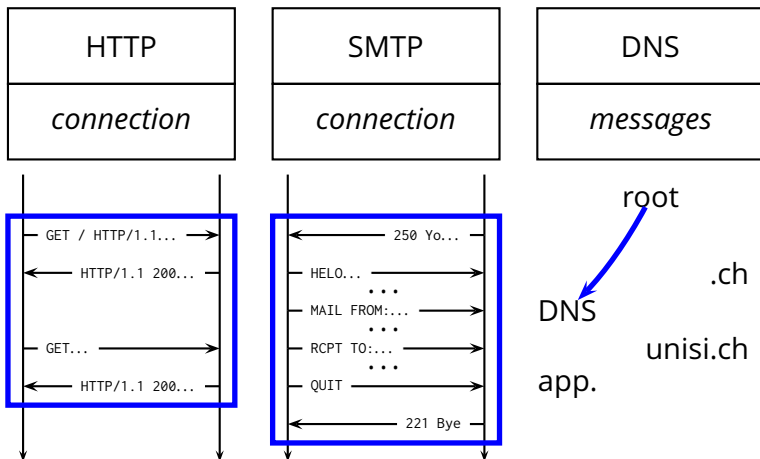
Type of Service



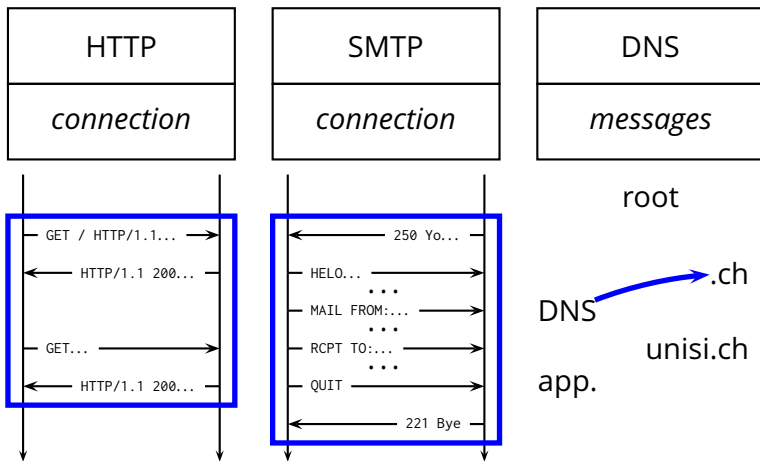
Type of Service



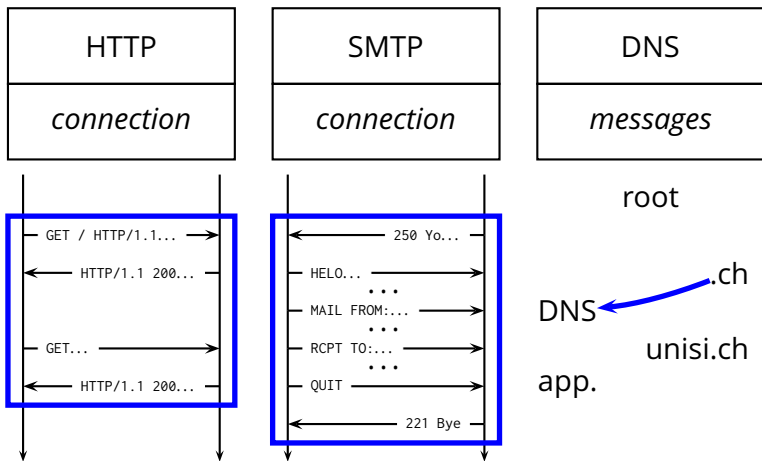
Type of Service



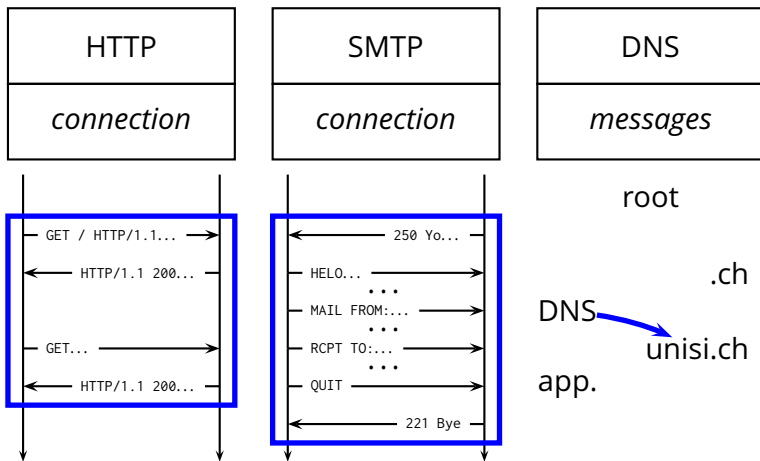
Type of Service



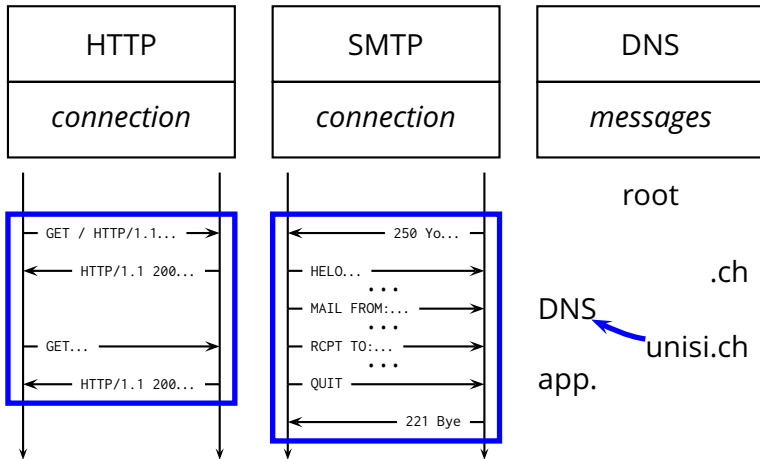
Type of Service



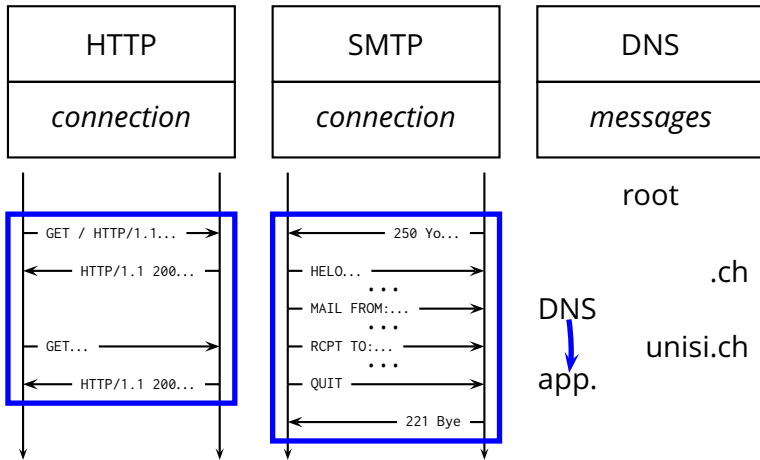
Type of Service



Type of Service



Type of Service



Transport Layer in the Internet

■ *Transport Control Protocol (TCP)*

- ▶ connection-oriented (i.e., “connections”)

■ *Transport Control Protocol (TCP)*

- ▶ connection-oriented (i.e., “connections”)

■ *User Datagram Protocol (UDP)*

- ▶ connectionless (i.e., “messages”)

■ *Transport Control Protocol (TCP)*

- ▶ connection-oriented (i.e., “connections”)

■ *User Datagram Protocol (UDP)*

- ▶ connectionless (i.e., “messages”)

■ Terminology

- ▶ transport-layer packets are called *segments*

■ *Transport Control Protocol (TCP)*

- ▶ connection-oriented (i.e., “connections”)

■ *User Datagram Protocol (UDP)*

- ▶ connectionless (i.e., “messages”)

■ Terminology

- ▶ transport-layer packets are called *segments*

■ Basic assumptions on the underlying network layer

■ *Transport Control Protocol (TCP)*

- ▶ connection-oriented (i.e., “connections”)

■ *User Datagram Protocol (UDP)*

- ▶ connectionless (i.e., “messages”)

■ Terminology

- ▶ transport-layer packets are called ***segments***

■ Basic assumptions on the underlying network layer

- ▶ every host has one unique *IP address*

■ *Transport Control Protocol (TCP)*

- ▶ connection-oriented (i.e., “connections”)

■ *User Datagram Protocol (UDP)*

- ▶ connectionless (i.e., “messages”)

■ Terminology

- ▶ transport-layer packets are called ***segments***

■ Basic assumptions on the underlying network layer

- ▶ every host has one unique *IP address*
- ▶ best-effort delivery service
 - ▶ no guarantees on the integrity of segments
 - ▶ no guarantees on the order in which segments are delivered

Transport-Layer Value-Added Service

Transport-Layer Value-Added Service

- ***Transport-layer multiplexing/demultiplexing***

- ▶ i.e., connecting applications as opposed to hosts

Transport-Layer Value-Added Service

- ***Transport-layer multiplexing/demultiplexing***

- ▶ i.e., connecting applications as opposed to hosts

- ***Reliable data transfer***

- ▶ i.e., integrity and possibly ordered delivery

Transport-Layer Value-Added Service

■ *Transport-layer multiplexing/demultiplexing*

- ▶ i.e., connecting applications as opposed to hosts

■ *Reliable data transfer*

- ▶ i.e., integrity and possibly ordered delivery

■ *Connections*

- ▶ i.e., streams
- ▶ can be seen as the same as ordered delivery

Transport-Layer Value-Added Service

■ *Transport-layer multiplexing/demultiplexing*

- ▶ i.e., connecting applications as opposed to hosts

■ *Reliable data transfer*

- ▶ i.e., integrity and possibly ordered delivery

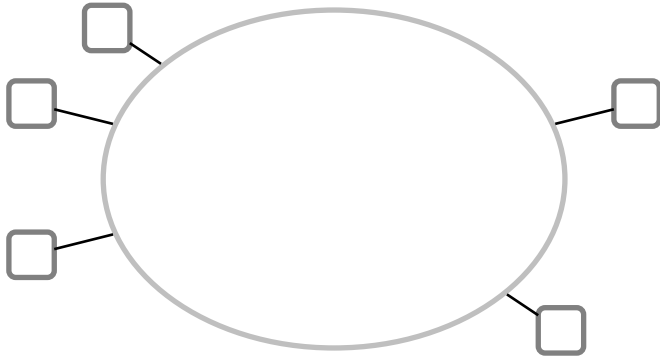
■ *Connections*

- ▶ i.e., streams
- ▶ can be seen as the same as ordered delivery

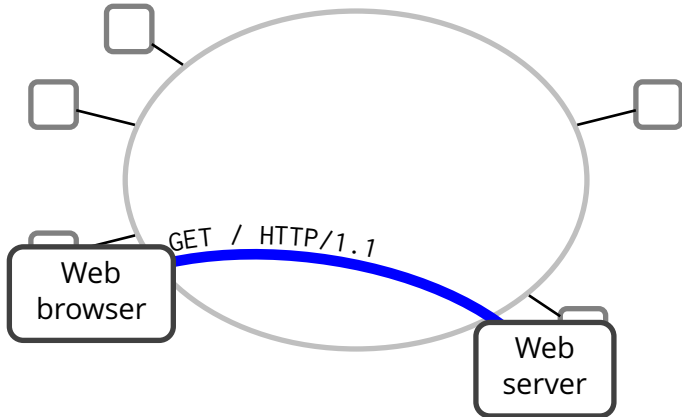
■ *Congestion control*

- ▶ i.e., end-to-end traffic (admission) control so as to avoid destructive congestions within the network

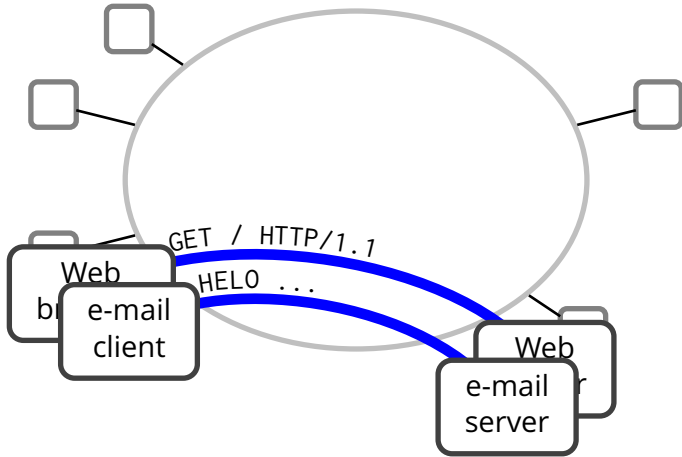
Multiplexing/Demultiplexing



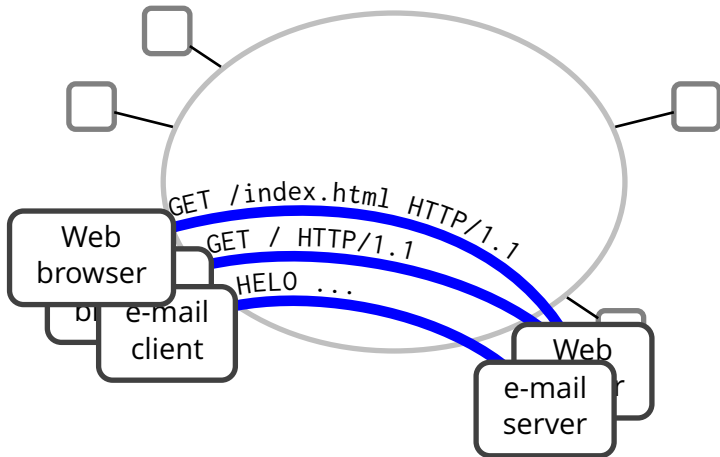
Multiplexing/Demultiplexing



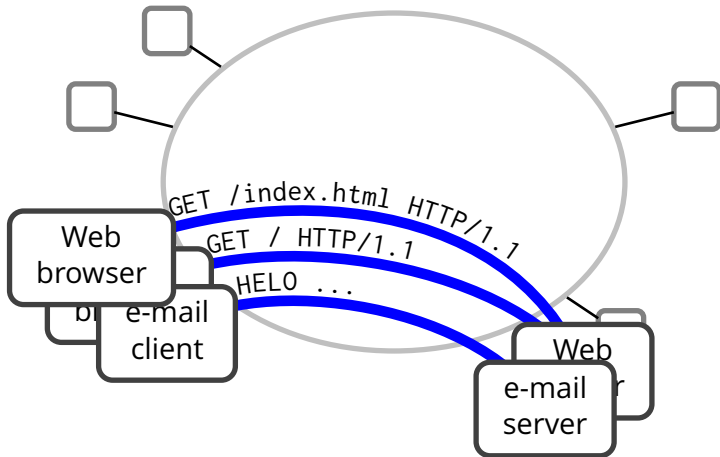
Multiplexing/Demultiplexing



Multiplexing/Demultiplexing

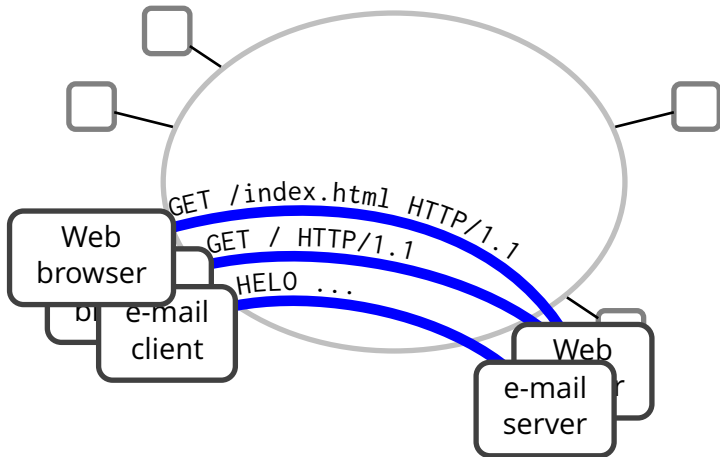


Multiplexing/Demultiplexing



How do we distinguish all these “connections”?

Multiplexing/Demultiplexing



How do we distinguish all these “connections”?
(in this case, connections between the same two hosts)

- Each application running on a host is identified (within that host) by a unique *port number*
 - ▶ port numbers are simply cross-platform process identifiers

- Each application running on a host is identified (within that host) by a unique *port number*
 - ▶ port numbers are simply cross-platform process identifiers
- How do we identify a “connection”?

- Each application running on a host is identified (within that host) by a unique ***port number***
 - ▶ port numbers are simply cross-platform process identifiers

- How do we identify a “connection”?
 - ▶ two pairs of *host* and *application* identifiers
 - ▶ i.e., two pairs (*IP-address, port*)

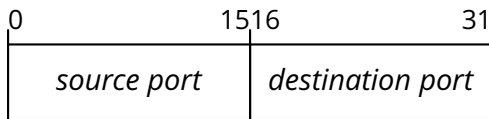
- Each application running on a host is identified (within that host) by a unique ***port number***
 - ▶ port numbers are simply cross-platform process identifiers
- How do we identify a “connection”?
 - ▶ two pairs of *host* and *application* identifiers
 - ▶ i.e., two pairs (*IP-address, port*)
- How do we find out which application (host and port number) to connect to?

- Each application running on a host is identified (within that host) by a unique ***port number***
 - ▶ port numbers are simply cross-platform process identifiers

- How do we identify a “connection”?
 - ▶ two pairs of *host* and *application* identifiers
 - ▶ i.e., two pairs (*IP-address, port*)

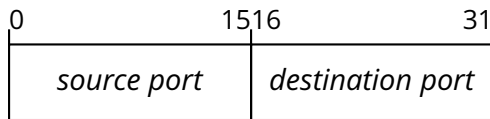
- How do we find out which application (host and port number) to connect to?
 - ▶ outside the scope of the definition of the transport layer
 - ▶ but of course we can have “well-known” service numbers

- The message format of both UDP and TCP starts with the source and destination port numbers



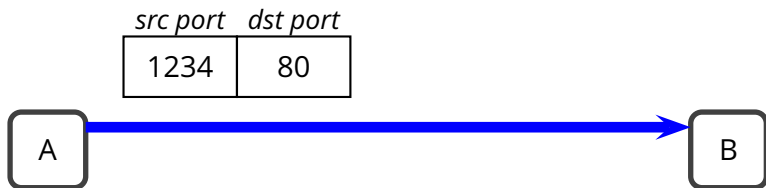
...

- The message format of both UDP and TCP starts with the source and destination port numbers

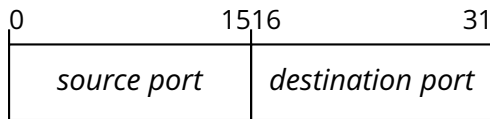


...

- E.g.,

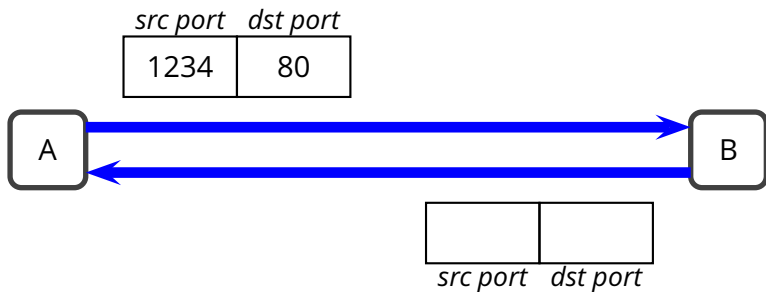


- The message format of both UDP and TCP starts with the source and destination port numbers

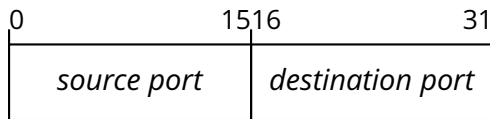


...

- E.g.,

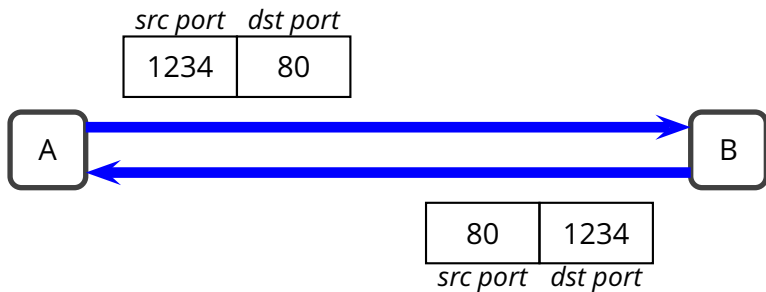


- The message format of both UDP and TCP starts with the source and destination port numbers



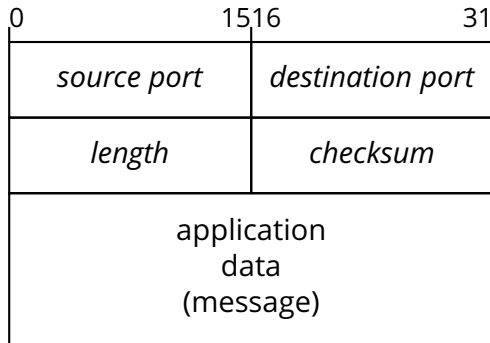
...

- E.g.,



UDP Packet Format

- The UDP message format is very simple



- UDP provides only the two most basic functionalities of a transport protocol

- UDP provides only the two most basic functionalities of a transport protocol
 - ▶ application identification (multiplexing/demultiplexing)

- UDP provides only the two most basic functionalities of a transport protocol
 - ▶ application identification (multiplexing/demultiplexing)
 - ▶ integrity check by means of a CRC-type checksum

- UDP provides only the two most basic functionalities of a transport protocol
 - ▶ application identification (multiplexing/demultiplexing)
 - ▶ integrity check by means of a CRC-type checksum

- What if there is no application at the other end?

- UDP provides only the two most basic functionalities of a transport protocol
 - ▶ application identification (multiplexing/demultiplexing)
 - ▶ integrity check by means of a CRC-type checksum

- What if there is no application at the other end?

- How is the checksum computed?
 - ▶ which parts of the segment does it cover?

- UDP provides only the two most basic functionalities of a transport protocol
 - ▶ application identification (multiplexing/demultiplexing)
 - ▶ integrity check by means of a CRC-type checksum
- What if there is no application at the other end?
- How is the checksum computed?
 - ▶ which parts of the segment does it cover?
- What should happen when the checksum doesn't check?